

S. B. Roll. No.....

ENGINEERING DRAWING-II
2nd Exam/Mech. /Prod/Auto/9342/Nov'24
(For 2023 Batch onwards)

Duration: 4Hrs.

M.Marks:50

SECTION-A

Q1. Do as directed any ten of the following.

10x1=10

- a. The cover plate in a butt joint is called _____
- b. _____ nut is used to protect the bolt end from damages.
- c. Welding produces a _____ joint.
- d. The process of burning down the edges of plate to prevent leakage of steam and liquid is called _____.
- e. Feather keys are used with _____
- f. The angle of British Standard Whitworth thread is _____ degrees.
- g. In a double strap butt joint, the thickness of the straps is _____
- h. The angle of an worm thread is _____ degree.
- i. _____ is the thread used in the screw jack.
- j. Oldham coupling is recommended to connect two shafts, when they are _____.
- k. _____ joints are used for joining thick plates.
- l. The height of a hexagonal nut is equal to _____

SECTION-B

Q2. Attempt any two questions.

2x10=20

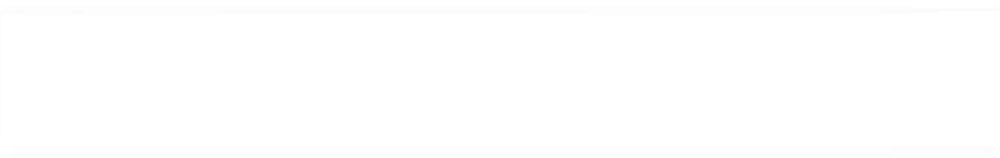
- i. Draw the front view of following nuts (Take diameter as 20mm) a) Hexagonal nut b) Capnut
- ii. What is caulking and fullering? Explain with diagram.
- iii. Draw the top view and sectional view of a single riveted lap joint. Take diameter of rivet 24mm.

SECTION-C

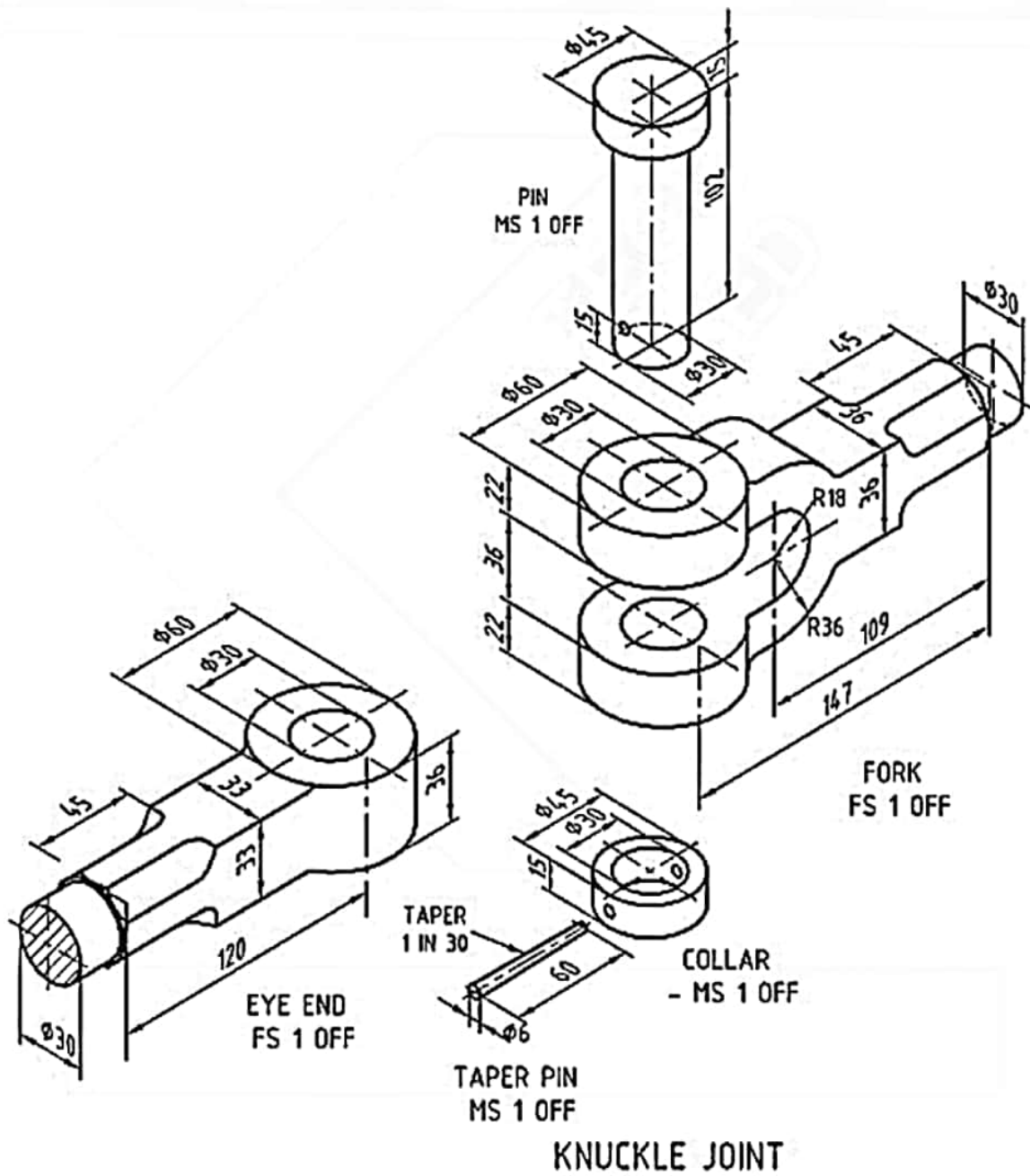
Q3. Attempt any one question.

1x20=20

- a. Draw top view and sectional front view of a double riveted lap joint (chain riveting). Take Diameter of rivet =26mm.
- b. Figure shows the component drawing of Knuckle Joint. Draw the following views of the assembly.
i) Front view ii) Top view



P.S.B.T.E. & I.T.



P.S.B.T.E. & I.T.